

Mounting brackets & instructions

---

UNIGAS 300 & UNICOM 300



Wigersma  
& Sikkema  
*Since 1921*



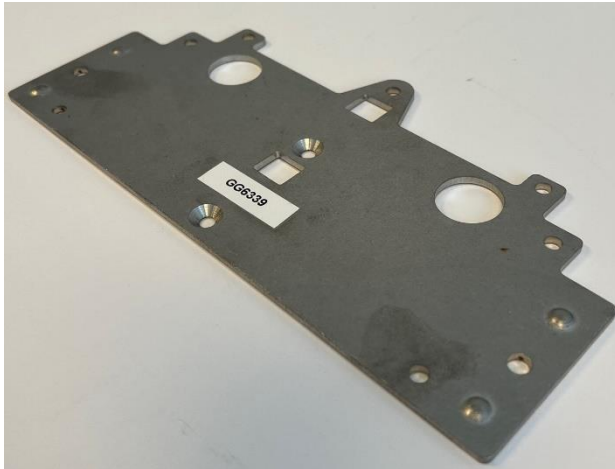
**Table of contents**

1 UNIGAS 300: ..... 3  
2 UNICOM 300: ..... 4  
3 UNIVERSAL: ..... 4  
4 Combinations: ..... 5  
5 Appendix 1: Mounting instructions UNIGAS 300 ..... 7  
6 Appendix 2: Mounting instructions UNICOM 300..... 9

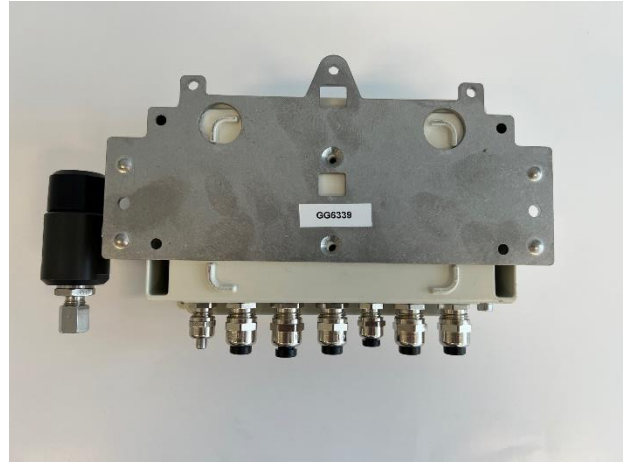
# 1 UNIGAS 300:

(article number : Description)

GG6339: Backplate UNIGAS



Example:



GG6338: flange bracket UNIGAS:



For mounting combinations of GG6338 and GG6339, see appendix 1.

NN2781: UNIGAS holder plate (also in combination with NN2782)



## 2 UNICOM 300:

(article number : Description)

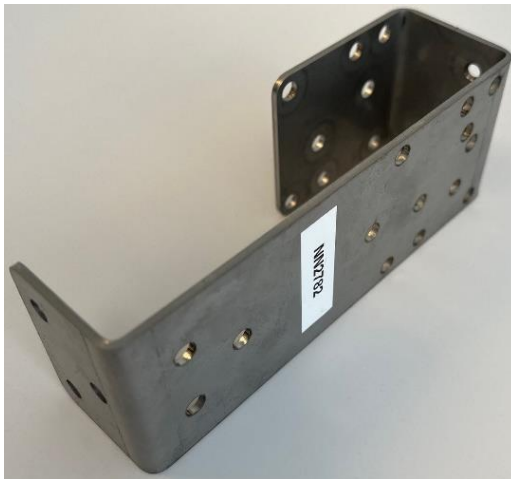
NN2741: Backplate UNICOM



NN2739: flange bracket UNICOM \*



NN2782: Backplate UNICOM U-type\*\*:



NN2740: UNICOM-UNIGAS combi plate



\* Four holes on the right side are threaded

\*\* The two holes on the short side, upper most right in the picture (one is visible) are threaded

For mounting combinations of NN2782 and NN2740, see appendix 2.

## 3 UNIVERSAL:

NN2780: UNICOM-UNIGAS Pipe-wall bracket\*



Example note: hose clamps are not supplied



\* The four holes in the center are threaded

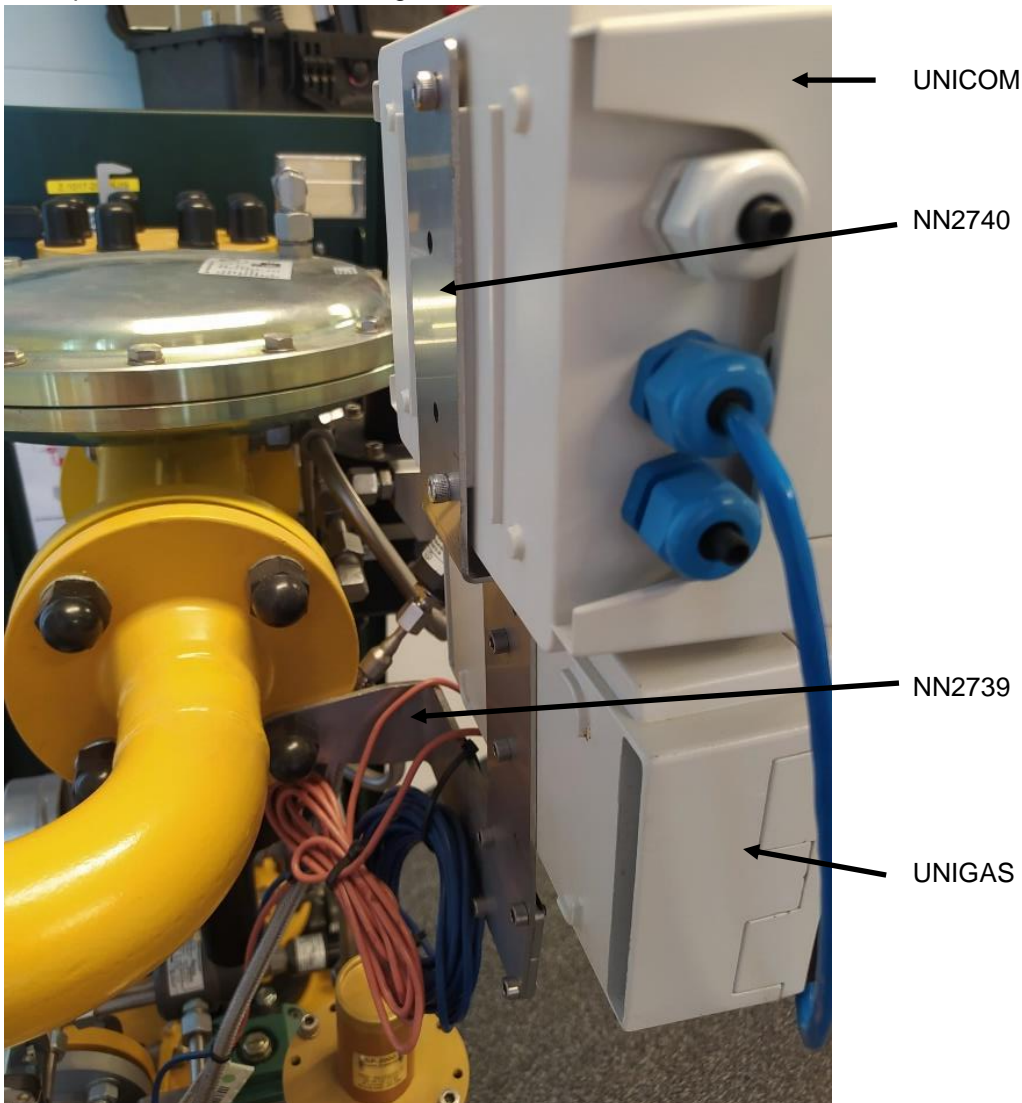
## 4 Combinations:

(article number : Description)

NN2740: combi plate UNIGAS-UNICOM

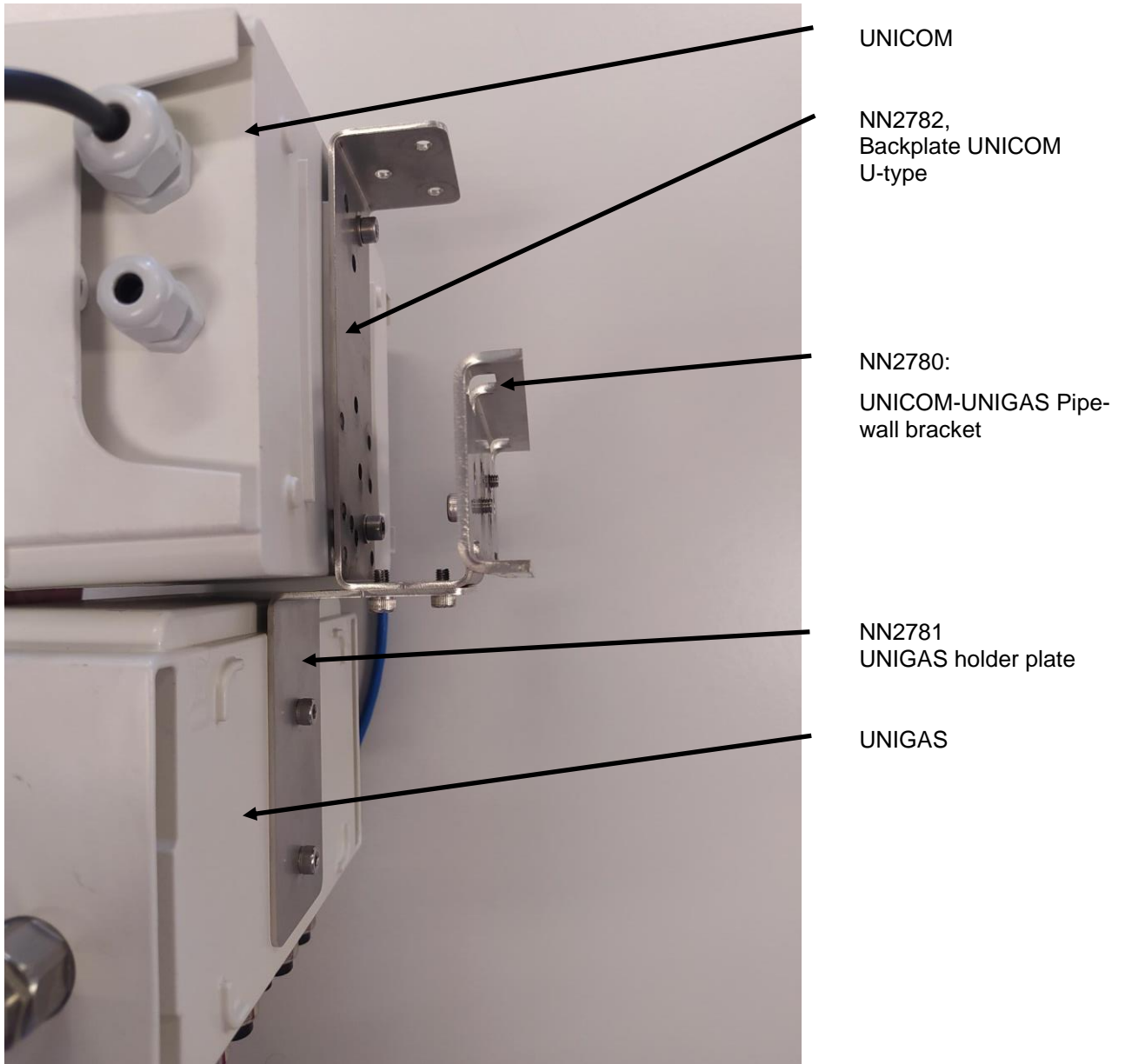


Example in combination with flange bracket NN2739 to mount the UNICOM and UNIGAS together:

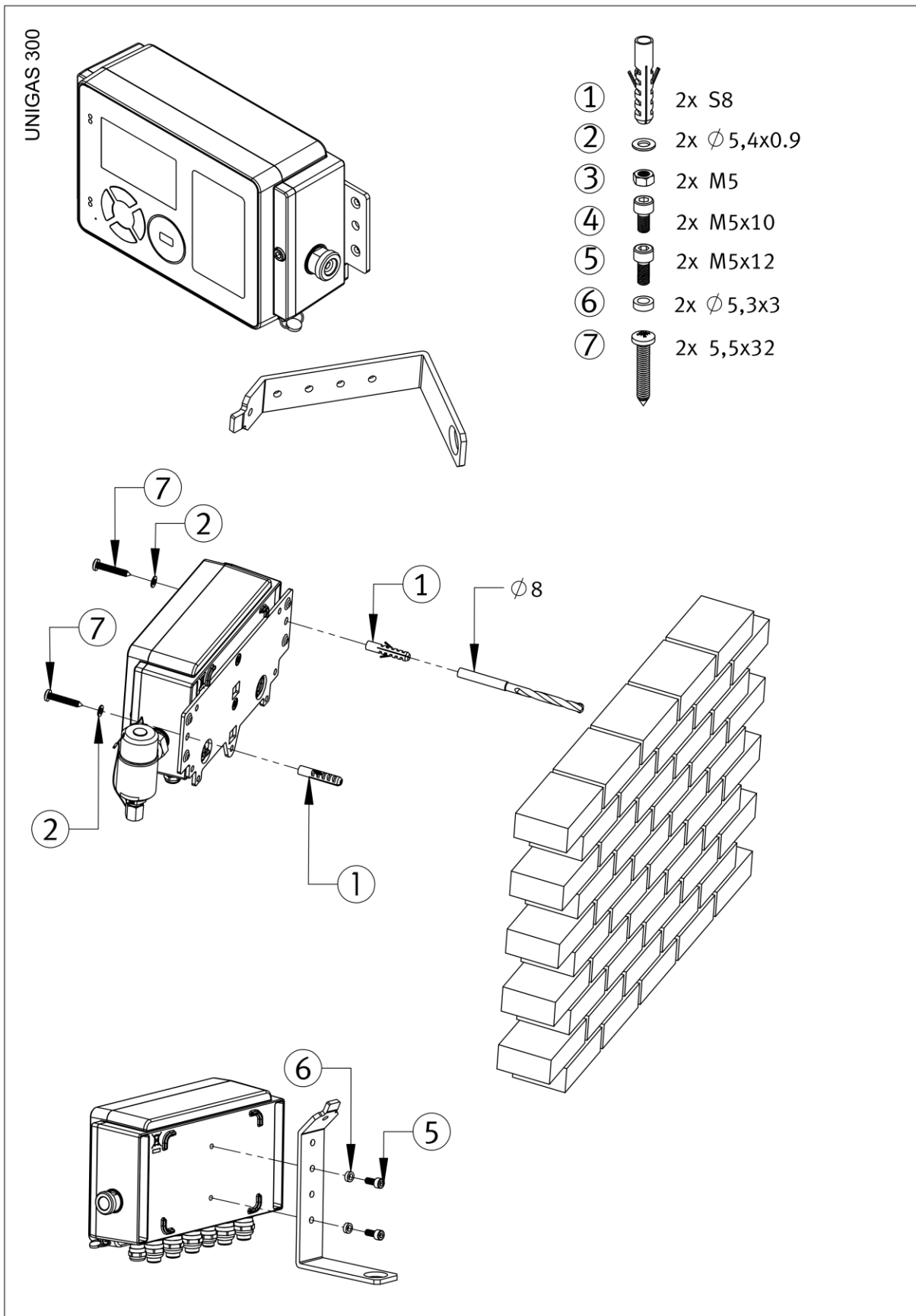


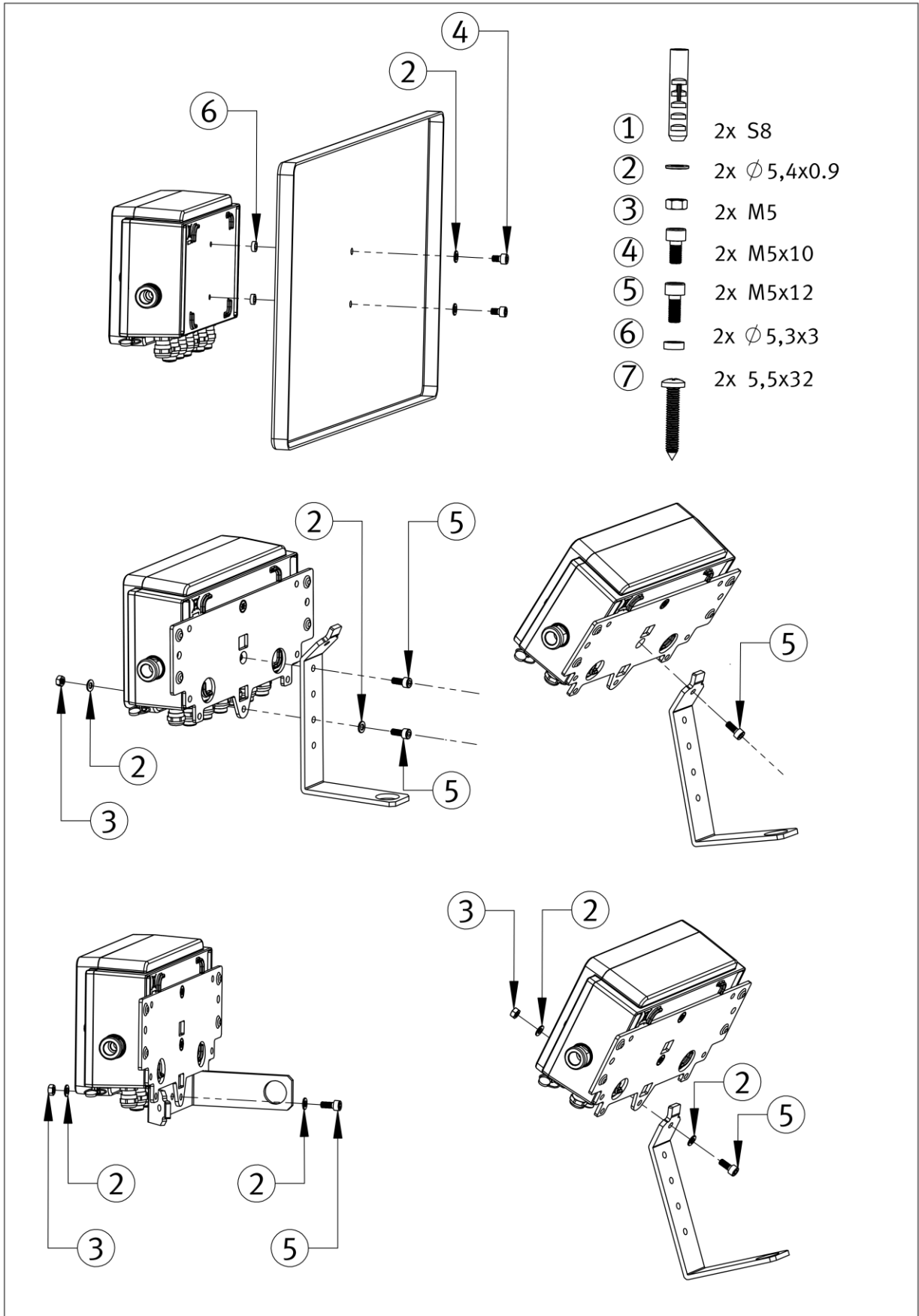
Instead of the flange bracket NN2739, the Pipe-wall bracket NN2780 can also be used. That combination will sit orientated more above the pipe.

UNICOM – UNIGAS mounting combination with the pipe-wall bracket. This provides a more compact orientation relative to the pipe than the previous example:



# 5 Appendix 1: Mounting instructions UNIGAS 300











*Since 1921*

Wigersma & Sikkema B.V.

Leigraafseweg 4

NL-6983 BP Doesburg

The Netherlands

TEL: +31 (0)313 – 47 19 98

[info@wigersma-sikkema.com](mailto:info@wigersma-sikkema.com)

[www.wigersma-sikkema.com](http://www.wigersma-sikkema.com)